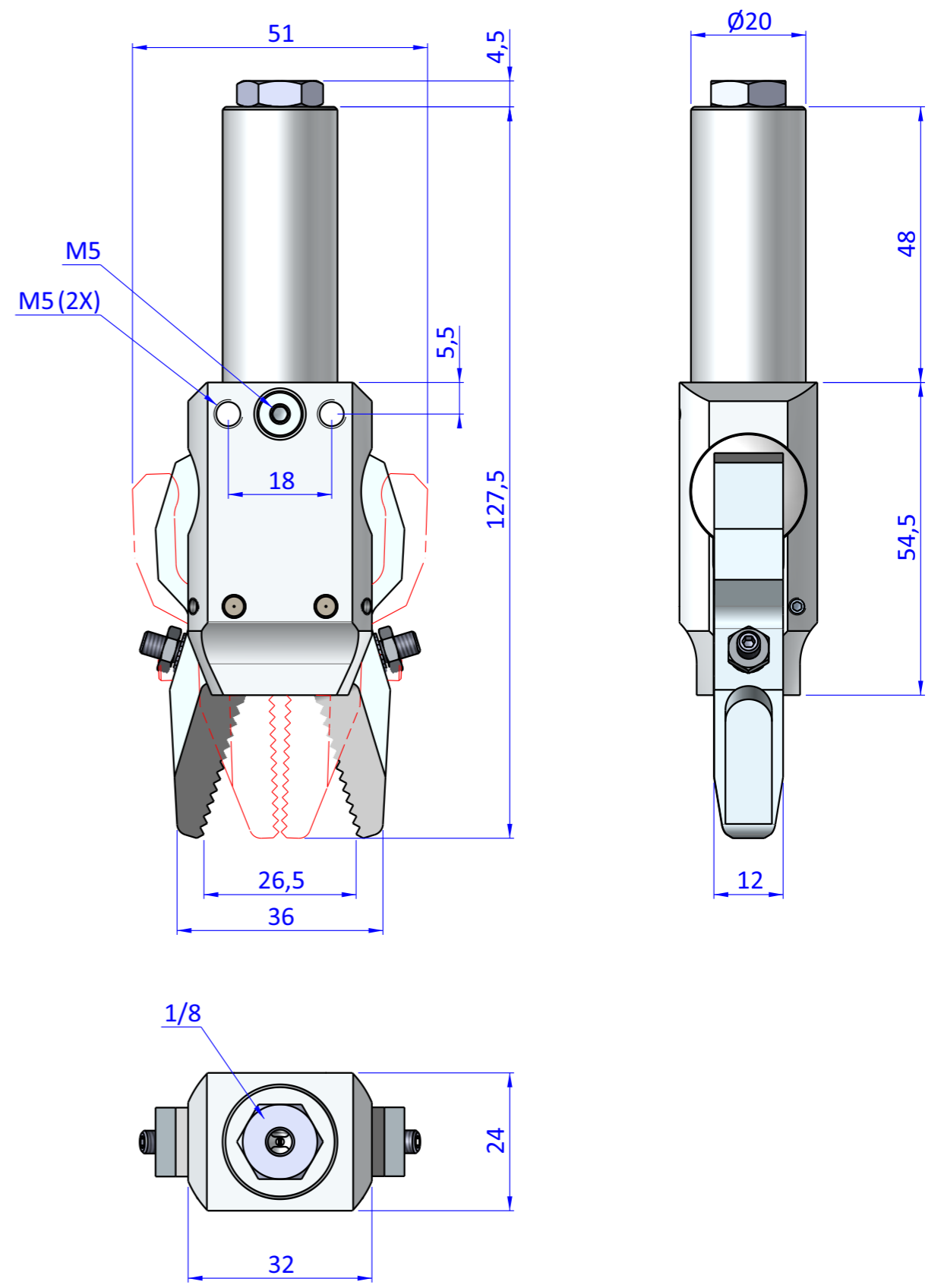
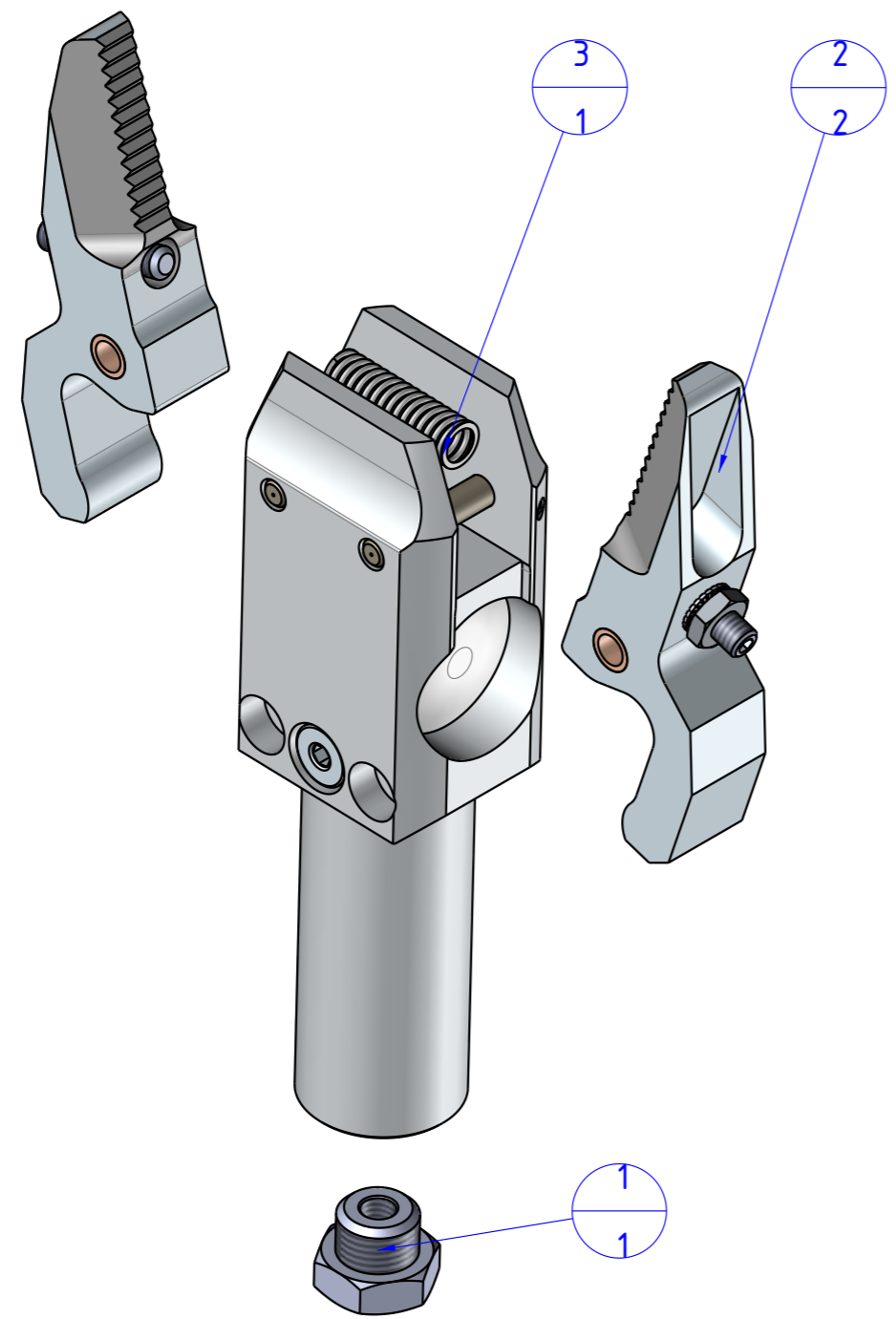



THE PROPERTY OF THE DRAWING IS ESTABLISHED BY LAW. IT IS FORBIDDEN TO PRODUCE OR SHOW IT TO THIRD PART. WITHOUT A WRITTEN AGREEMENT.

Item	Name	QTY
1	CA.08.14.001	1
2	GTS.04.13	2
3	GTS.04.G18	1



Format A3
UNI 936-76

 FPS FPSERVICES AUTOMATION		DESIGNED FROM		REVIEW
		FPS Automation		A
GENERAL TOLERANCE		DATE	WEIGHT	
UNI - ISO 2768		12/05/2022	0,194kg	
CLASSE f		DESCRIPTION	CODE	
		CA.GTS.1004.1214	CA.GTS.1004.1313	